

LA340B-3-S SERIES WARNING LIGHT SERIES



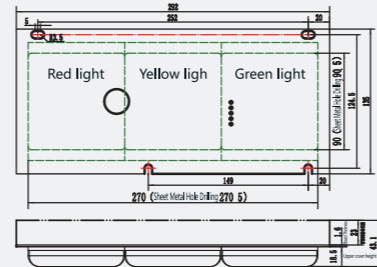
PRODUCT FEATURES

- ◆ 1. Horizontal or vertical installation, simple style, easy to install;
- ◆ 2. Uniform light distribution, strong color rendering, good visual effect;
- ◆ 3. Built-in buzzer with pleasant sound.

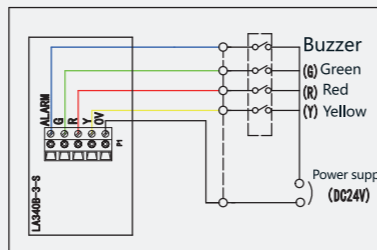
TECHNICAL PARAMETERS

Rated Voltage	DC24V $+10\%$ -15%
Operating Temperature	$-20\sim 60^{\circ}\text{C}$
Light Color	red, yellow, green
Power Consumption	$\leq 3\text{W}$

INSTALLATION INSTRUCTIONS



WIRING METHOD



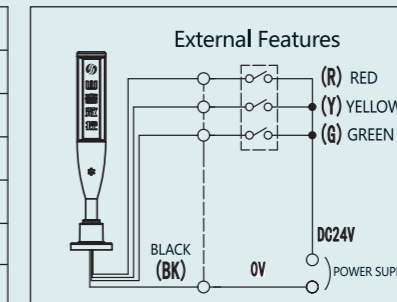
JCB-7 SERIES WARNING LIGHT SERIES

PRODUCT FEATURES

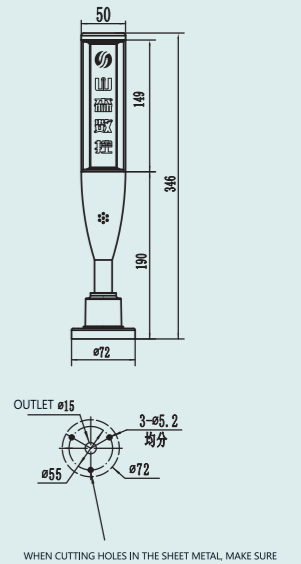
- ◆ 1.The light guide layer adopts double-layer design, the inner light guide column can accept personalized LOGO and company name design according to the user's requirements, with the outer light guide cover, the three-dimensional sense is stronger, the recognition degree is higher, the overall appearance of high-end atmosphere;
- ◆ 2.Built-in buzzer, good warning effect;
- ◆ 3.Constant current drive power supply, LED chip high brightness lamp beads, long service life;
- ◆ 4.The tube base can be bent 90°, which is convenient for delivery after installation and lying down.

TECHNICAL PARAMETERS ■ WIRING METHOD

Rated voltage	DC24V
Operating voltage rang	80%~120% of rated voltage
Operating Temperature	$-30\sim 60^{\circ}\text{C}$
Light Color	red, yellow, green
Power Consumption	$\leq 3\text{W}$
Buzzer Noise	$\geq 90\text{dB}$
Waterproof and Dustproof Level	IP30



INSTALLATION INSTRUCTIONS



WHEN CUTTING HOLES IN THE SHEET METAL, MAKE SURE THAT THE HOLES ARE DIRECTLY ABOVE THE MACHINE.

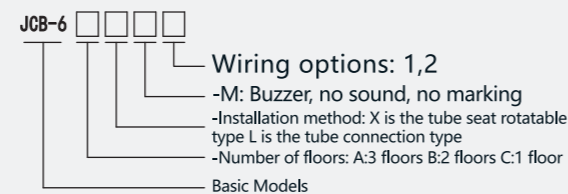
JCB-6 SERIES WARNING LIGHT SERIES



PRODUCT FEATURES

- ◆ 1.Plug-in module structure, according to the requirements of any combination, installation and dismantling more convenient and quicker.
- ◆ 2.The light source adopts super bright LED, high luminous intensity, pure light color, large irradiation angle; long service life.
- ◆ 3.Intersecting and straight, shiny and long-lasting.
- ◆ 4.Flash frequency $60\pm 10\%$ /minute.
- ◆ 5.The wiring color corresponds to the color of the lampshade, which is convenient for quick wiring.
- ◆ 6.Tube base rotatable warning light can be bent 90°, convenient for packaging and transportation.
- ◆ 7.Won the national invention patent, patent number ZL2011102287197.

MODEL DESCRIPTION



TECHNICAL PARAMETERS

Rated voltage	AC/DC24V $+10\%$ -15%
Operating Temperature	$-20\sim 60^{\circ}\text{C}$
Wiring method	Lead Wire(1,2)
Light Color	Red, yellow, green
Power Consumption	$\leq 3\text{W}$

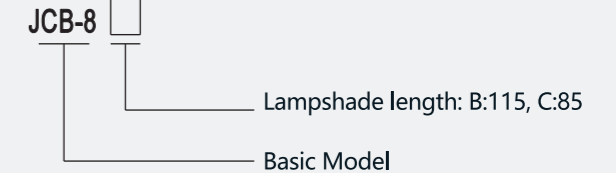
JCB-8 SERIES WARNING LIGHT SERIES



PRODUCT FEATURES

- ◆ 1.The structure adopts the soft curve design, modern and beautiful, is novel and features convenient installation and maintenance.
- ◆ 2.The light guide cover is made of acrylic inner threaded light guide, and the lamp body and lamp base are made of ABS engineering plastic.
- ◆ 3.The light source adopts super bright LED, strong luminous intensity, light reflection through the light guide material, soft light, high visibility.
- ◆ 4.DC power supply, after constant current source power supply output, constant current high precision, lamp beads use long life.
- ◆ 5.The tube base can be bent 90°, convenient for packing and transportation.
- ◆ 6.Won the national invention patent, patent number: ZL2017101850276.

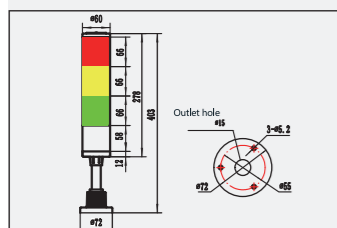
MODEL DESCRIPTION



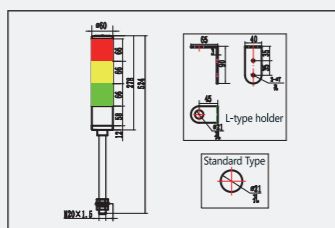
TECHNICAL PARAMETERS

Rated voltage	DC24V
Operating voltage rang	80%~120% of rated voltage
Operating Temperature	$-30\sim 60^{\circ}\text{C}$
Light Color	red, yellow, green
Power Consumption	$\leq 3\text{W}$
Waterproof and Dustproof Level	IP54

INSTALLATION INSTRUCTIONS

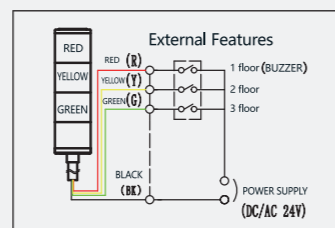


Swivel Mounting Diagram for Tube Holder

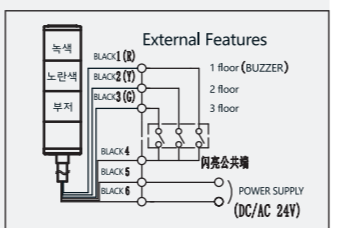


Tube Connection Mounting Diagram

WIRING INSTRUCTIONS

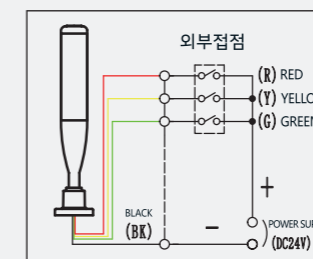
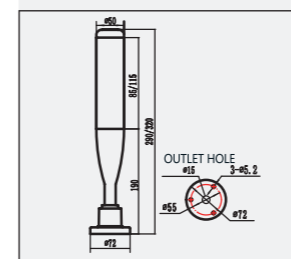


Connection type 1: Normally-on type

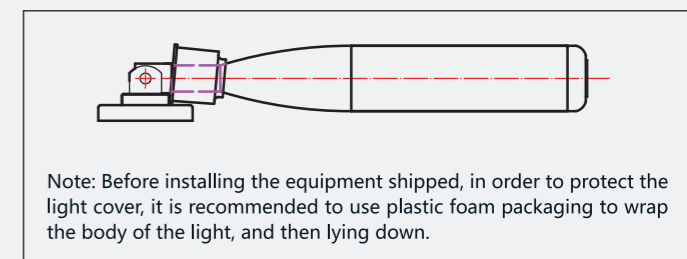


Connection type 2: Flashing type

INSTALLATION INSTRUCTIONS ■ WIRING



SHIPPING INSTRUCTIONS: EQUIPMENT CAN BE ROTATED WHEN PACKAGED FOR SHIPPING



Note: Before installing the equipment shipped, in order to protect the light cover, it is recommended to use plastic foam packaging to wrap the body of the light, and then lying down.